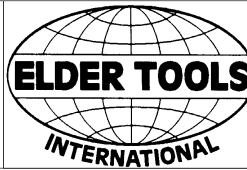


ELDER TOOLS INTERNATIONALP.O. Box 111
Cuero, TX 77954Web Site: <http://www.eldertools.com>
Email: oiltools@eldertools.comTel: 361-275-5600
Fax: 361-275-6700

Retrievable Squeeze Packer

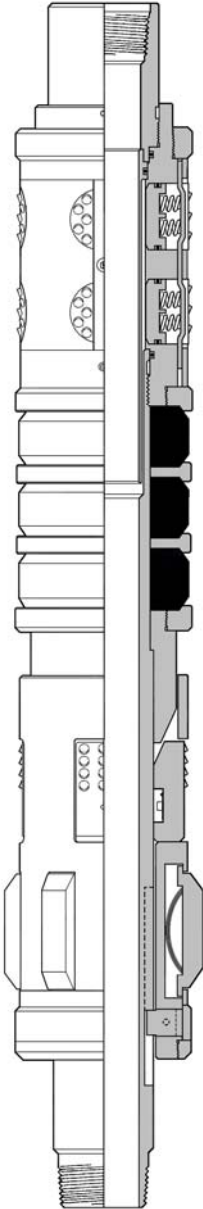
ETI-CPW

CPW RETRIEVABLE SQUEEZE PACKER

The CPW Retrievable Squeeze Packer is designed to perform all the tasks required of a retrievable stimulation and work over packer, and withstand high pressures from above or below. It can be used in all types of squeeze cementing, fracturing, and acidizing, with subsequent testing. The hydraulically actuated hold down slips and mechanical lower slips are carbide tipped for long, dependable service. The packing element system is the proven three-section type, but heavier and more reliable than systems on packers with an integral bypass. This packer is run with a separate, positive locking unloader, eliminating the possibility of pumping open, as on many equalizing valves.

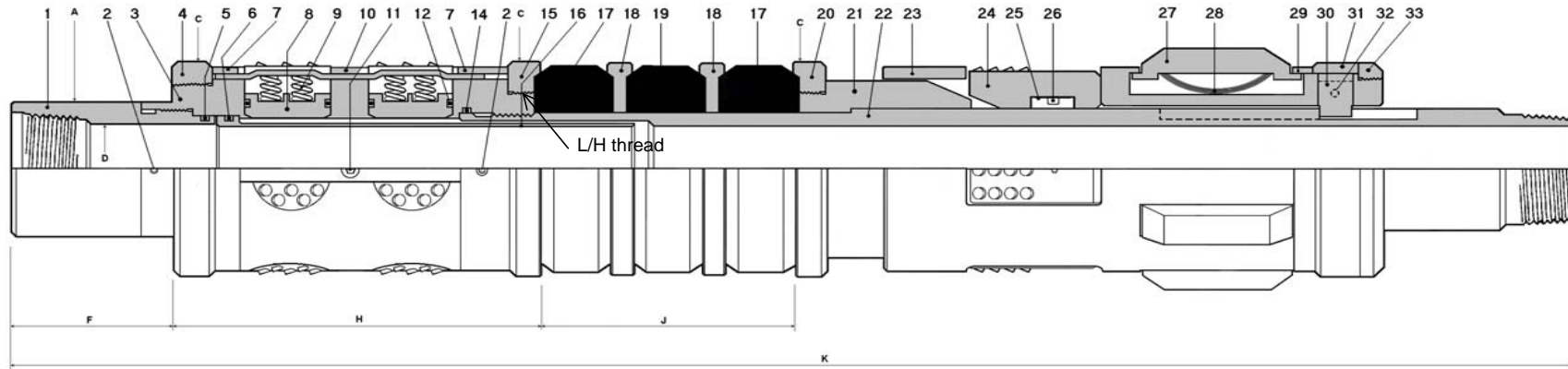
Specifications

Size	Casing Weight	Gage Ring O.D.	Packing Element O.D.	Packer Bore	Connections (box up/pin down)	
4-1/2"	9.5-13.5	3.750	3.62	1.94	2-3/8"EU8Rd	
5"	15-18	4.125	3.94			
	11.5-15	4.250	4.12			
5-1/2"	17-23	4.500	4.38			2.38
	14-17	4.641	4.50			
	13-15.5	4.781	4.69			
	5-3/4"	17-23	4.500	4.38	2.38	2-7/8" EU8Rd
		14-17	4.641	4.50		
6-5/8"	13-15.5	4.781	4.69	2.42	2-7/8"EU8Rd	
7"	20-24	5.687	5.56			
	29-38	6.000	5.75			
	23-29		6.12			
7-5/8"	17-23	6.188	6.50	3.00	3-1/2"	
	43-47	6.453				
	33-39		6.672			
8-5/8"	40-49	7.312	7.00	4.00	4-1/2"EU8Rd	
	28-36	7.625				
9-5/8"	43-53.5	8.250	7.94	4.00	4-1/2"EU8Rd	
	32-43	8.500	8.38			





4-1/2" & 5" x 2-3/8" EU8Rd ETI-CPW Retrievable Squeeze Packer



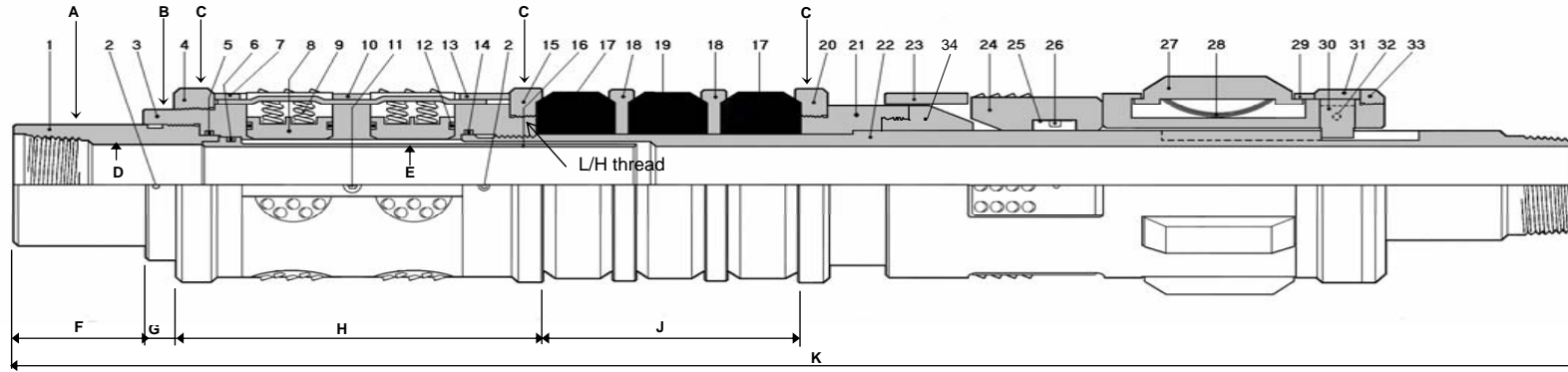
Specifications				
casing	weight	max.O.D.	min.I.D.	connections
4-1/2"	9.5-13.5	3.77	1.94	2-3/8" EU8Rd
5"	15-18	4.13		
5"	11.5-15	4.25		

Dimensions (in.)			
A	3.12	F	5.78
C	see specs	H	10.09
D	2.00	J	5.31
E	1.94	K	40.94

Parts List							
key #	P/N	part	qty.	P/N	key #	part	qty.
1	63880	tool top	1	61450	18	element spacer	2
2	1155C	thread lock set screw	8	30125	19	center packing element	1
3	63910	hold down receptacle	1	6394X	20	lower element gage	1
4	63890	cap	1	63970	21	cone	1
5	19228	O-ring (-228)	1	6390X	22	mandrel	1
6	19228	O-ring (-228)	1	63981	23	control body	1
7	53590	strap retainer	2	0XXPK	24	lower slip	4
8	5031X	hold down slip	8	50725	25	slip spring	4
9	SP005	hold down spring	16	1334C	26	slip spring screw	4
10	63950	hold down strap	4	50450	27	drag block	4
11	11433F	hold down screw	4	50100	28	drag block spring	16
12	19125	O-ring (-125)	8	56530	29	drag block retainer	1
14	19228	O-ring (-228)	1	56550	30	control lug	2
15	6393X	upper element gage	1	5654X	31	control lug retainer	1
16	63920	volume tube	1	1136C	32	control lug set screw	2
17	30125	end packing element	2	63890	33	cap	1



7" x 2-7/8" EU8Rd CPW Retrievable Squeeze Packer



specifications				
casing	weight	max.O.D.	min.I.D.	connections
7"	17-23#	6.19	2.50	2-7/8" EU8Rd
	20-29#	5.97		
	29-38#	5.75		

dimensions (in.)			
A	3.75	F	3.81
B	4.56	G	2.12
C	see specs	H	12.25
D	2.50	J	6.62
E	2.50	K	51.06

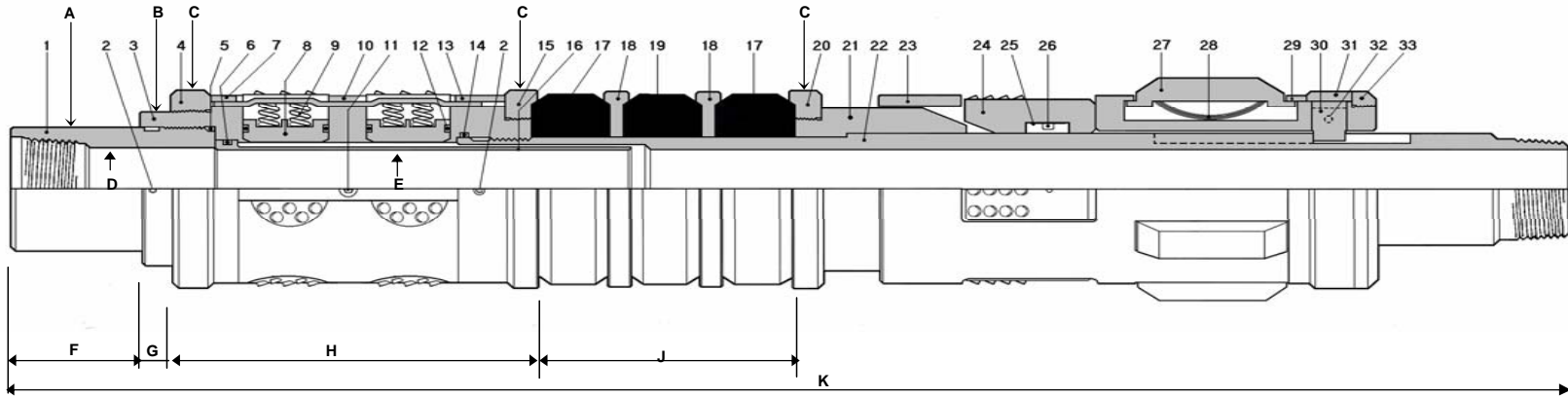
Part List							
key #	qty.	P/N	part	key #	qty.	P/N	part
1	1	64460	tool top	18	2	6439X	element spacer
2	6	1168C	thread lock set screw	19	1	7084X	center packing element
3	1	64830	hold down receptacle	20	1	7086X	lower element gage
4	1	7096X	top gage	21	1	64480	element retainer
5	1	19340	O-ring (-340)	22	1	6442X	mandrel
6	1	19336	O-ring (-336)	23	1	64440	control body
7	1	64400	upper strap retainer	24	4	070CJ	lower slip
8	8	5040X	hold down slip	25	8	51778	slip spring
9	16	CB3410	hold down spring	26	4	11236	slip spring screw
10	4	64490	hold down strap	27	6	50X00	drag block
11	4	11458	hold down screw	28	36	50110	drag block spring
12	8	19230	O-ring (-230)	29	1	70760	drag block retainer
13	1	64410	lower strap retainer	30	2	70920	control lug
14	1	19341	O-ring (-341)	31	1	70930	control lug retainer
15	1	7081X	upper element gage	32	2	11158C	control lug set screw
16	1	6445X	volume tube	33	1	70270	control body nut
17	2	7084X	end packing element	34	1	64470	cone

ELDER TOOLS INTERNATIONAL

P.O. Box 111 Tel: 361-275-5600 Cuero, TX 77954 Fax: 361-275-6700 Web Site: <http://www.eldertools.com> Email: oiltools@eldertools.com



9-5/8" x 4-1/2" EU8Rd CPW Retrievable Squeeze Packer



specifications				
casing	weight	max.O.D.	min.I.D.	connections
9-5/8"	32.3-43.5	8.50	4.00	4-1/2" EU8Rd
	43.5-53.5	8.25	(or 3.00)	(3-1/2" EU8Rd optional)

dimensions (in.)			
A	5.25	F	4.00
B	6.38	G	1.94
C	see specs	H	12.69
D	4.00	J	8.88
E	4.00	K	51.06

part list							
key #	part	qty.		key #	part	qty.	
1	tool top	1		18	element spacer	2	
2	thread lock set screw	6		19	center packing element	1	
3	hold down receptacle	1		20	lower element gage	1	
4	top gage	1		21	cone	1	
5	O-ring (-355)	1		22	mandrel	1	
6	O-ring (-350)	1		23	control body	1	
7	upper strap retainer	1		24	lower slip	6	
8	hold down slip	12		25	slip spring	12	
9	hold down spring	24		26	slip spring screw	6	
10	hold down strap	6		27	drag block	8	
11	hold down screw	6		28	drag block spring	48	
12	O-ring (-230)	8		29	drag block retainer	1	
13	lower strap retainer	1		30	control lug	2	
14	O-ring (-355)	1		31	control lug retainer	1	
15	upper element gage	1		32	control lug set screw	2	
16	volume tube	1		33	control body nut	1	
17	end packing element	2					

ELDER TOOLS INTERNATIONAL

P.O. Box 111 Tel: 361-275-5600 Cuero, TX 77954 Fax: 361-275-6700 Web Site: <http://www.eldertools.com> Email: oiltools@eldertools.com